

Rail-to-Rail Output Quad CMOS Operational Amplifier

■ GENERAL DESCRIPTION

The **NJU7058** is a Quad CMOS operational amplifier that feature low noise as $V_{NI}=15nV/\sqrt{Hz}$ (at $V_{DD}=5V$, $f=1kHz$). It is tolerant to RF noise.

The NJU7058 can operate from a single-supply voltage of +1.8V to +5.5V. In addition, this amplifier features Rail-to-Rail output and low input bias current (1pA).

■ PACKAGE OUTLINE



**NJU7058V
(SSOP14)**

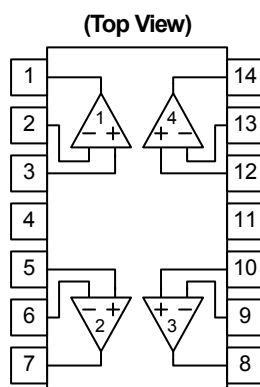
■ FEATURES

- Low Operating Voltage 1.8V to 5.5V
- Voltage Noise 15nV/ \sqrt{Hz} (typ.) (at $V_{DD}=5V$, $f=1kHz$)
- Rail-to-Rail Output $V_{OH}=4.9V$ min./ $V_{OL}=0.1V$ max. (at $V_{DD}=5V$, $R_L=10k\Omega$)
 $V_{OH}=4.8V$ min./ $V_{OL}=0.2V$ max. (at $V_{DD}=5V$, $I_O=2mA$)
- Package SSOP14
- Enhanced RF Noise Immunity
- CMOS Process

■ APPLICATION

- Sensor amplifiers
- Photodiode amplifiers
- Low noise signal processing applications
- Microphone amplifiers
- Battery-operated application

■ PIN CONFIGURATION (Top View)



Pin Function	
1. OUTPUT 1	8. OUTPUT 3
2. -INPUT 1	9. -INPUT 3
3. +INPUT 1	10. +INPUT 3
4. V_{DD}	11. V_{SS}
5. +INPUT 2	12. +INPUT 4
6. -INPUT 2	13. -INPUT 4
7. OUTPUT 2	14. OUTPUT 4

■ ABSOLUTE MAXIMUM RATINGS

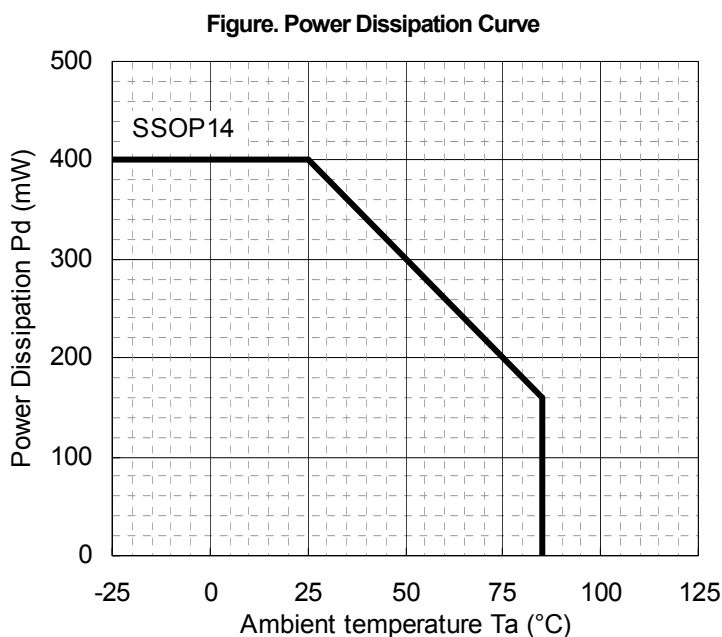
PARAMETER	SYMBOL	RATINGS	UNIT
Supply Voltage	V_{DD}	+7	V
Input Common Mode Voltage	V_{ICM}	$V_{SS}-0.3$ to $V_{DD}+0.3$	V
Differential Input Voltage	V_{ID}	± 7 (Note1)	V
Power Dissipation	P_D	400[SSOP14] (Note2)	mW
Operating Temperature Range	T_{opr}	-40 to +85	$^{\circ}C$
Storage Temperature Range	T_{stg}	-55 to +125	$^{\circ}C$

(Note1) For supply voltage less than +7V, the absolute maximum rating is equal to the supply voltage.

(Note2) EIA/JEDEC STANDARD Test board (76.2 x 114.3 x 1.6mm, 2layers, FR-4) mounting.

(Note3) Do not exceed "Power dissipation: P_D " in which power dissipation in IC is shown by the absolute maximum rating.

See Figure "Power Dissipation Curve" when ambient temperature is over 25 $^{\circ}C$.



■ RECOMMENDED OPERATING CONDITION (Ta=25 $^{\circ}C$)

PARAMETER	SYMBOL	RATING	UNIT
Supply Voltage	V_{DD}	1.8 to 5.5	V

■ ELECTRICAL CHARACTERISTICS

DC CHARACTER ($V_{DD}=5V$, $V_{SS}=0V$, $T_a=25^\circ C$, unless otherwise noted.)

PARAMETER	SYMBOL	TEST CONDITION	MIN.	TYP.	MAX.	UNIT
Supply Current	I_{DD}	No Signal	-	1.1	1.7	mA
Input Offset Voltage	V_{IO}	$V_{ic}=0V$, $R_S=50\Omega$	-	1	4	mV
Input Offset Voltage drift	$\Delta V_{IO}/\Delta T$		-	0.7	-	$\mu V/^\circ C$
Input Bias Current	I_B		-	1	-	pA
Input Offset Current	I_{IO}		-	1	-	pA
Open loop gain	A_V	$V_o=0.5V$ to $4.5V$, $R_L=10k\Omega$ to $2.5V$	70	90	-	dB
Common Mode Rejection Ratio	CMR	$V_{ICM}=0V$ to $4.1V$	65	80	-	dB
Supply Voltage Rejection Ratio	SVR	$V_{DD}=1.8V$ to $5.5V$	70	90	-	dB
Maximum Output Voltage 1	V_{OH1}	$R_L=10k\Omega$ to $2.5V$	4.9	4.95	-	V
	V_{OL1}	$R_L=10k\Omega$ to $2.5V$	-	0.05	0.1	V
Maximum Output Voltage 2	V_{OH2}	$R_L=10k\Omega$ to $0V$	4.9	4.95	-	V
	V_{OL2}	$R_L=10k\Omega$ to $0V$	-	0.02	0.05	V
Maximum Output Voltage 3	V_{OH3}	$I_{source}=2mA$	4.8	4.85	-	V
	V_{OL3}	$I_{sink}=2mA$	-	0.15	0.2	V
Common Mode Input Voltage Range	V_{ICM}	CMR \geq 65dB	0	-	4.1	V

AC CHARACTER ($V_{DD}=5V$, $V_{SS}=0V$, $T_a=25^\circ C$, unless otherwise noted.)

PARAMETER	SYMBOL	TEST CONDITION	MIN.	TYP.	MAX.	UNIT
Gain Bandwidth Product	GBW	$R_L=10k\Omega$ to $2.5V$, $C_L=20pF$, $f=100kHz$	-	2.1	-	MHz
Phase Margin	ϕ_M	$R_L=10k\Omega$ to $2.5V$, $C_L=20pF$	-	80	-	deg
Gain Margin	G_M	$R_L=10k\Omega$ to $2.5V$, $C_L=20pF$	-	10	-	dB
Equivalent Input Noise Voltage	e_n	$f=1kHz$	-	15	-	nV/\sqrt{Hz}
Slew Rate	SR	$G_v=0dB$, $R_L=10k\Omega$ to $2.5V$, $C_L=20pF$, $V_{in}=3V_{pp}$ (1V to 4V) (Note4) (Note5)	-	0.8	-	V/us
Channel Separation	CS	$f=1kHz$	-	120	-	dB
Total Harmonic Distortion	THD	$G_v=6dB$, $R_F=50k\Omega$, $R_G=50k\Omega$, $C_L=20pF$, $V_o=4V_{pp}$, $f=1kHz$ (Note6)	-	0.01	-	%

(Note4) Slew rate is defined by the lower value of the rise or fall.

(Note5) See figure2-1 for test circuit.

(Note6) See figure2-3 for test circuit.

■ ELECTRICAL CHARACTERISTICS

DC CHARACTER ($V_{DD}=1.8V$, $V_{SS}=0V$, $T_a=25^\circ C$, unless otherwise noted.)

PARAMETER	SYMBOL	TEST CONDITION	MIN.	TYP.	MAX.	UNIT
Supply Current	I_{DD}	No Signal	-	0.9	1.5	mA
Input Offset Voltage	V_{IO}	$V_{ic}=0V$, $R_S=50\Omega$	-	1	4	mV
Input Offset Voltage drift	$\Delta V_{io}/\Delta T$		-	0.8	-	$\mu V/^\circ C$
Input Bias Current	I_B		-	1	-	pA
Input Offset Current	I_{IO}		-	1	-	pA
Open loop gain	A_V	$V_o=0.5V$ to $1.3V$, $R_L=10k\Omega$ to $0.9V$	65	90	-	dB
Common Mode Rejection Ratio	CMR	$V_{ICM}=0V$ to $0.9V$	65	80	-	dB
Supply Voltage Rejection Ratio	SVR	$V_{DD}=1.8V$ to $5.5V$	70	90	-	dB
Maximum Output Voltage 1	V_{OH1}	$R_L=10k\Omega$ to $0.9V$	1.7	1.75	-	V
	V_{OL1}	$R_L=10k\Omega$ to $0.9V$	-	0.05	0.1	V
Maximum Output Voltage 2	V_{OH2}	$R_L=10k\Omega$ to $0V$	1.7	1.75	-	V
	V_{OL2}	$R_L=10k\Omega$ to $0V$	-	0.02	0.05	V
Maximum Output Voltage 3	V_{OH3}	$I_{source}=1mA$	1.5	1.55	-	V
	V_{OL3}	$I_{sink}=1mA$	-	0.25	0.3	V
Common Mode Input Voltage Range	V_{ICM}	CMR \geq 65dB	0	-	0.9	V

AC CHARACTER ($V_{DD}=1.8V$, $V_{SS}=0V$, $T_a=25^\circ C$, unless otherwise noted.)

PARAMETER	SYMBOL	TEST CONDITION	MIN.	TYP.	MAX.	UNIT
Gain Bandwidth Product	GBW	$R_L=10k\Omega$ to $0.9V$, $C_L=20pF$, $f=100kHz$	-	1.7	-	MHz
Phase Margin	ϕ_M	$R_L=10k\Omega$ to $0.9V$, $C_L=20pF$	-	80	-	deg
Gain Margin	G_M	$R_L=10k\Omega$ to $0.9V$, $C_L=20pF$	-	13	-	dB
Equivalent Input Noise Voltage	e_n	$f=1kHz$	-	18	-	nV/\sqrt{Hz}
Slew Rate	SR	$G_v=0dB$, $R_L=10k\Omega$ to $1.5V$, $C_L=20pF$, $V_{in}=0.5V_{pp}$ ($0.3V$ to $0.8V$) (Note4) (Note7)	-	0.6	-	V/us
Channel Separation	CS	$f=1kHz$	-	110	-	dB
Total Harmonic Distortion	THD	$G_v=+6dB$, $R_F=50k\Omega$, $R_G=50k\Omega$, $C_L=20pF$, $V_o=1V_{pp}$, $f=1kHz$ (Note8)	-	0.01	-	%

(Note4) Slew rate is defined by the lower value of the rise or fall.

(Note7) See figure2-2 for test circuit.

(Note8) See figure2-4 for test circuit.

■ MEASUREMENT CIRCUITS

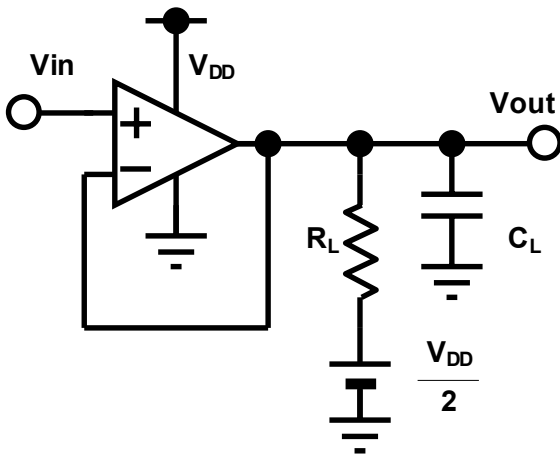


Figure 2-1: Measurement circuit 1

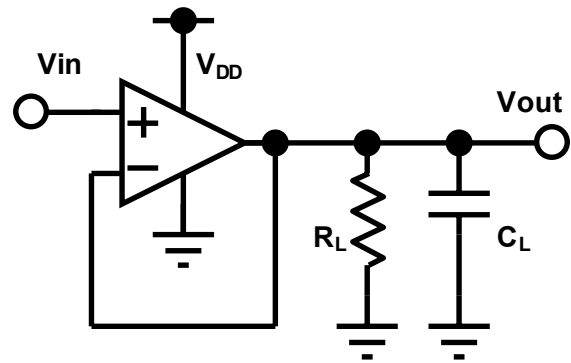


Figure 2-2: Measurement circuit 2

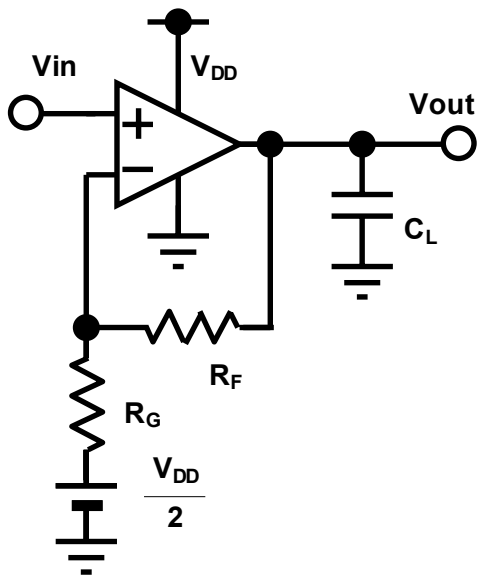


Figure 2-3: Measurement circuit 3

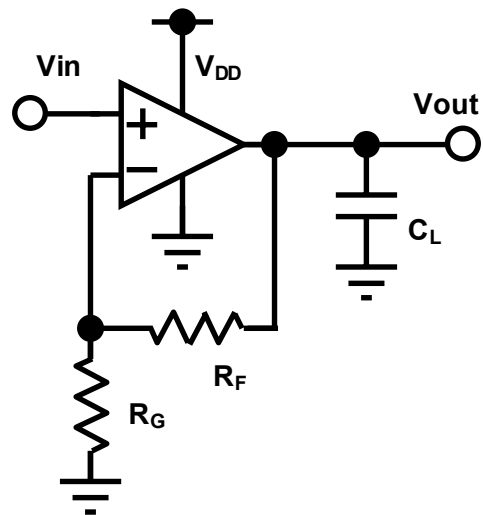
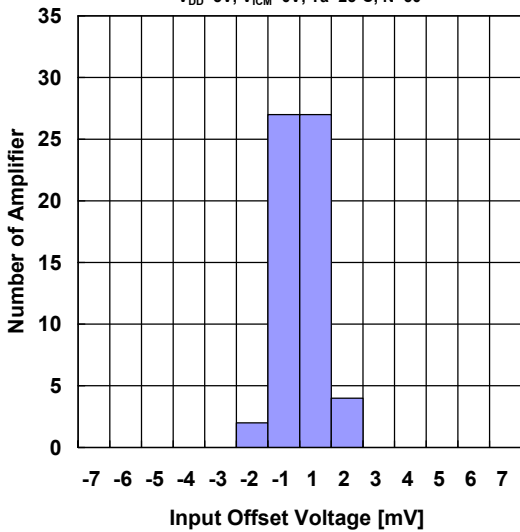


Figure 2-4: Measurement circuit 4

ELECTRICAL CHARACTERISTICS

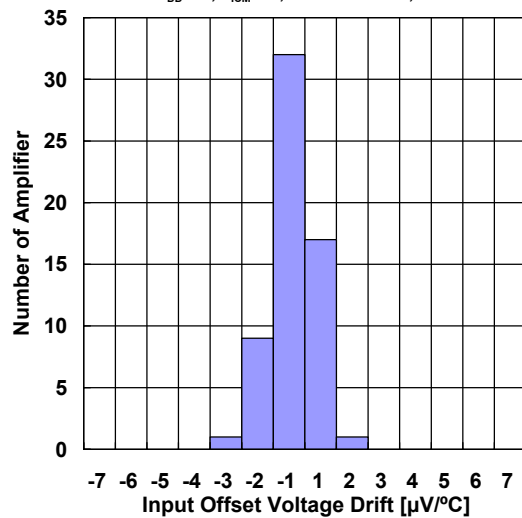
Input Offset Voltage Distribution

$V_{DD}=5V, V_{ICM}=0V, T_a=25^\circ C, N=60$



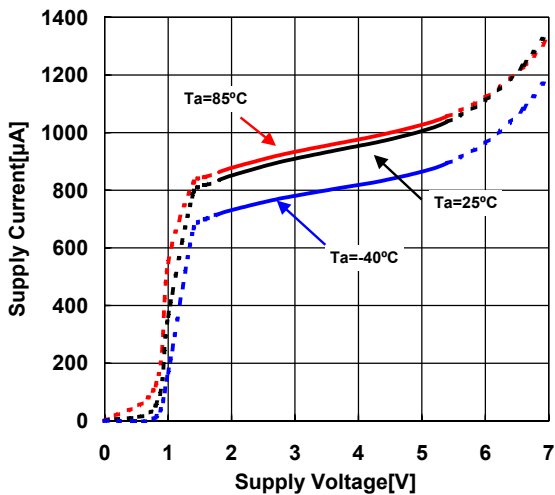
Input Offset Voltage Drift Distribution

$V_{DD}=5V, V_{ICM}=0V, T_a=-40^\circ C \rightarrow 85^\circ C, N=60$



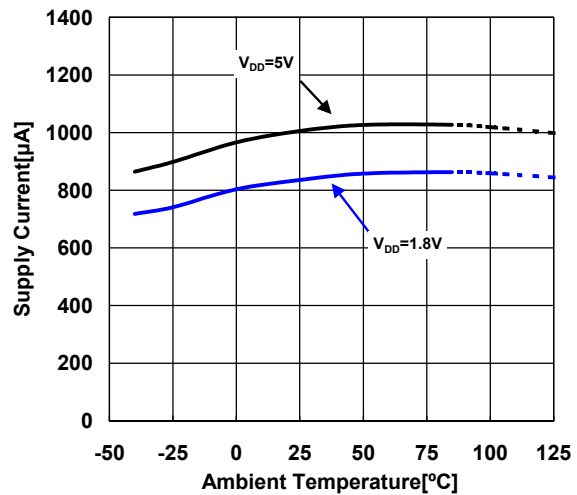
Supply Current vs Supply Voltage

$G_v=0dB$



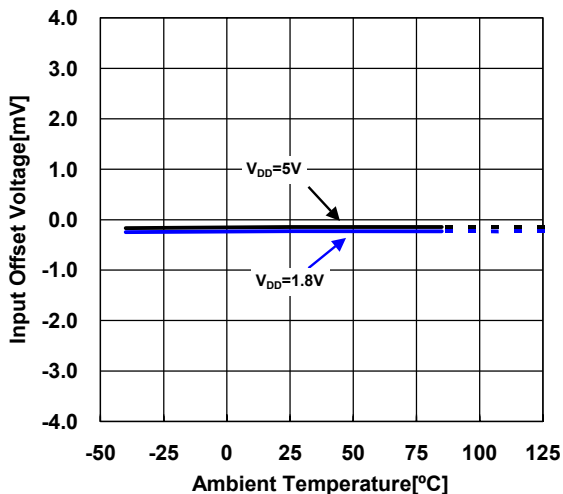
Supply Current vs Temperature

$G_v=0dB$



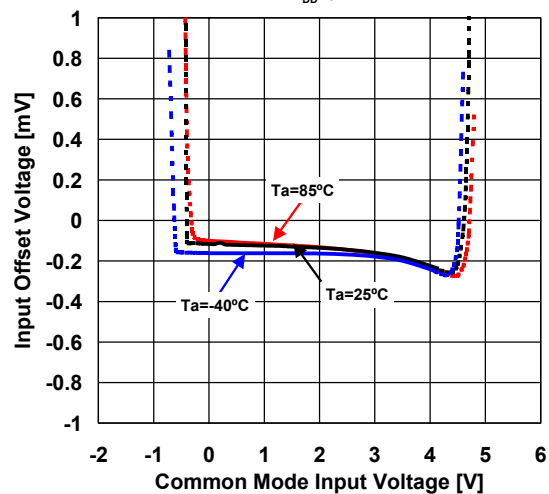
Input Offset Voltage vs Temperature

(Supply Voltage)
 $V_{ICM}=V_{DD}/2$



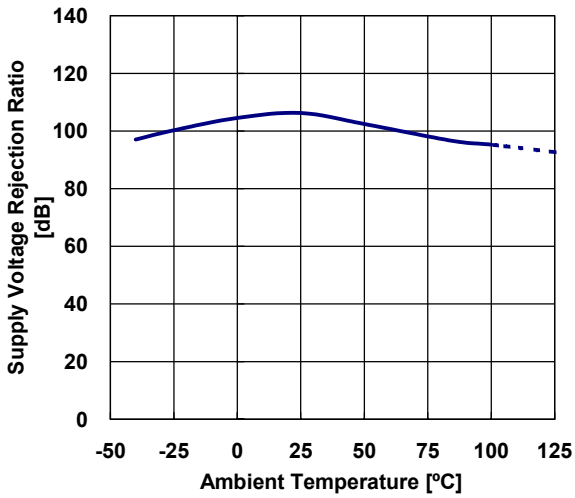
Input Offset Voltage vs Common Mode Input Voltage

(Temperature)
 $V_{DD}=5V$

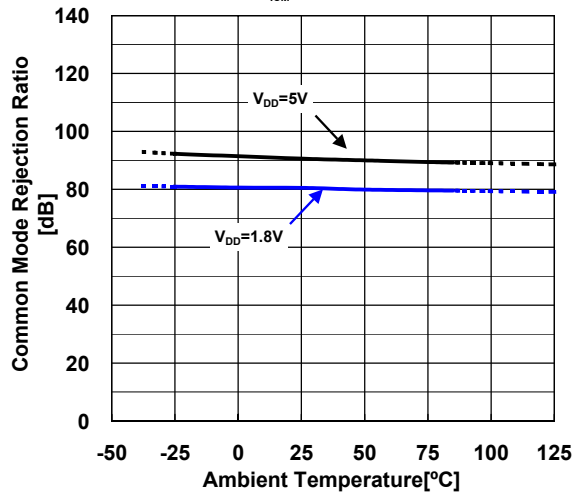


■ ELECTRICAL CHARACTERISTICS

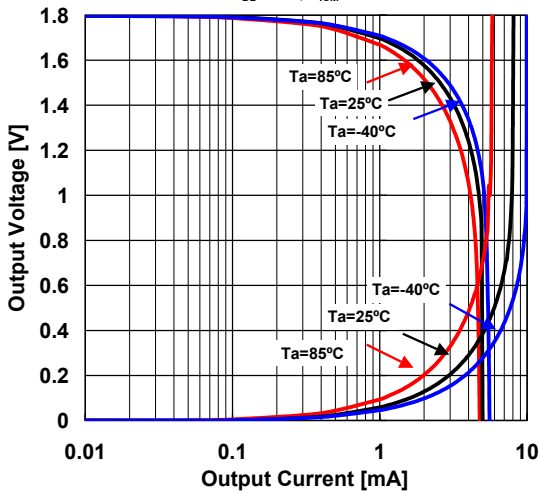
SVR vs Temperature
 $V_{DD}=1.8V \rightarrow 5.5V$



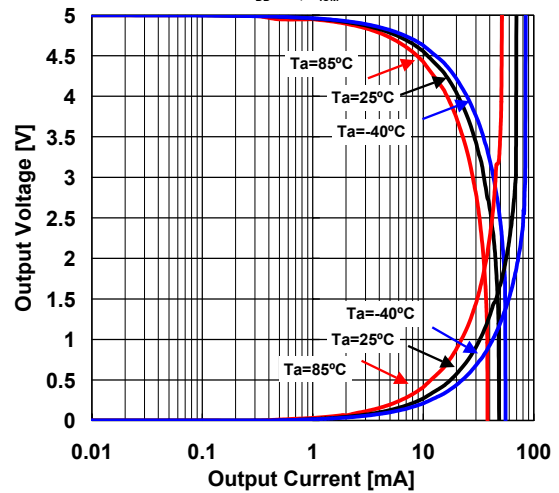
CMR vs Temperature
 (Supply Voltage)
 $V_{ICM}=0V \rightarrow V_{DD}-0.9V$



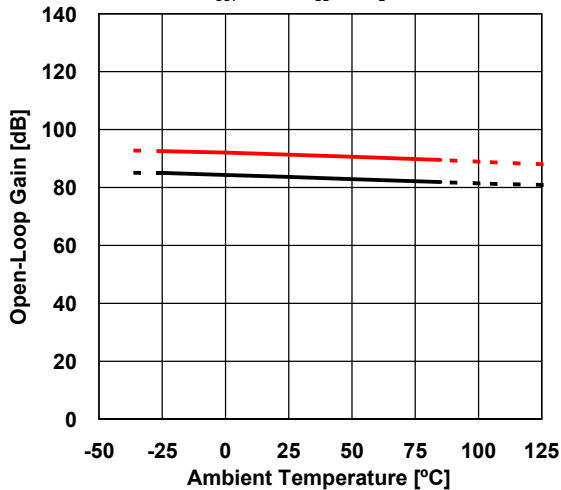
Output Voltage vs Output Current (Temperature)
 $V_{DD}=1.8V, V_{ICM}=0.9V$



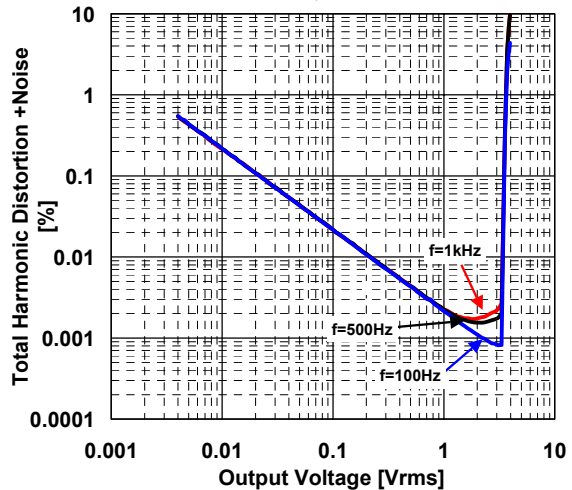
Output Voltage vs Output Current (Temperature)
 $V_{DD}=5V, V_{ICM}=2.5V$



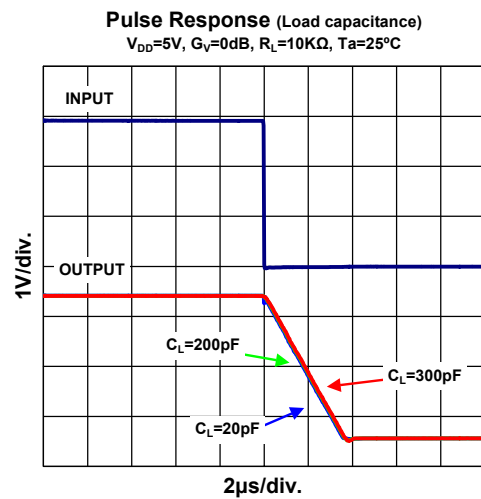
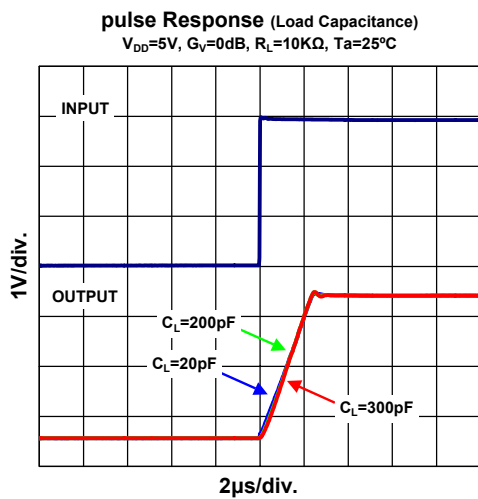
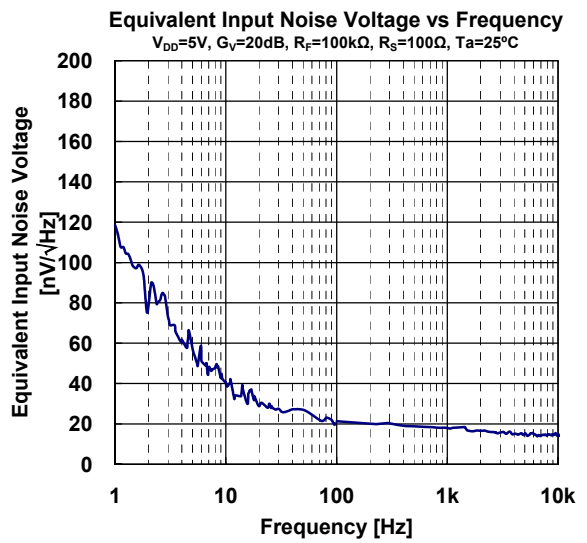
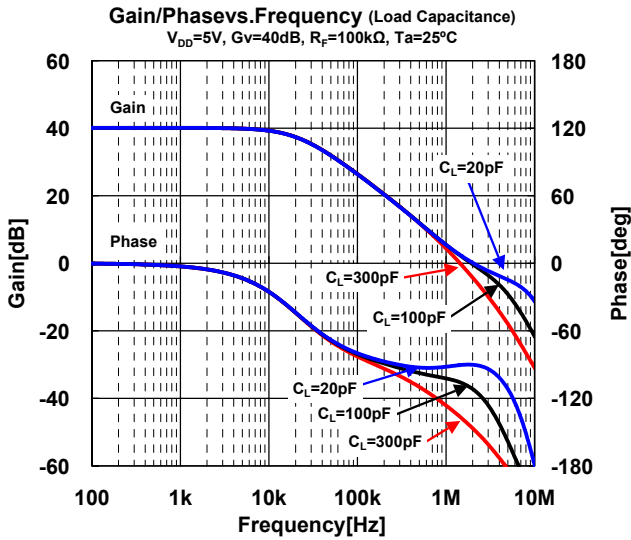
Open-Loop Gain vs Temperature
 $V_{OUT}=0.5V \rightarrow V_{DD}-0.5, R_L=10k\Omega$



THD + Noise vs. Output Voltage
 $V_{DD}=5V, G_v=6dB, R_G=5k\Omega, R_F=5k\Omega, T_a=25^\circ C$



■ ELECTRICAL CHARACTERISTICS



[CAUTION]
 The specifications on this databook are only given for information, without any guarantee as regards either mistakes or omissions. The application circuits in this databook are described only to show representative usages of the product and not intended for the guarantee or permission of any right including the industrial rights.